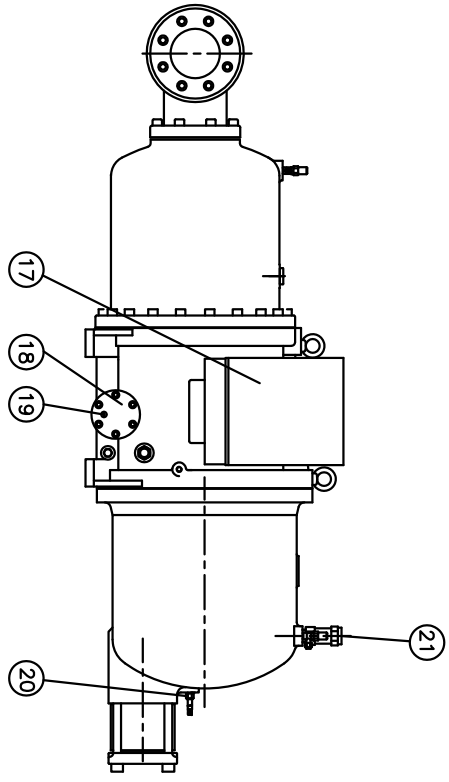
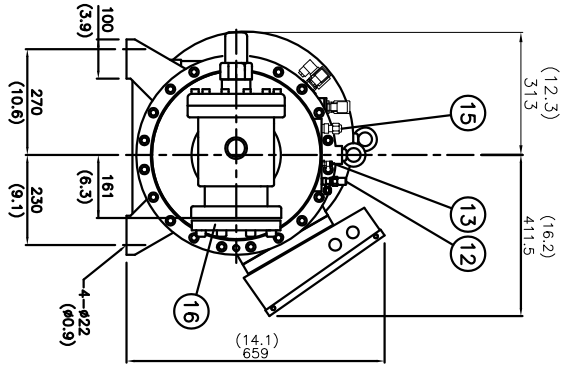
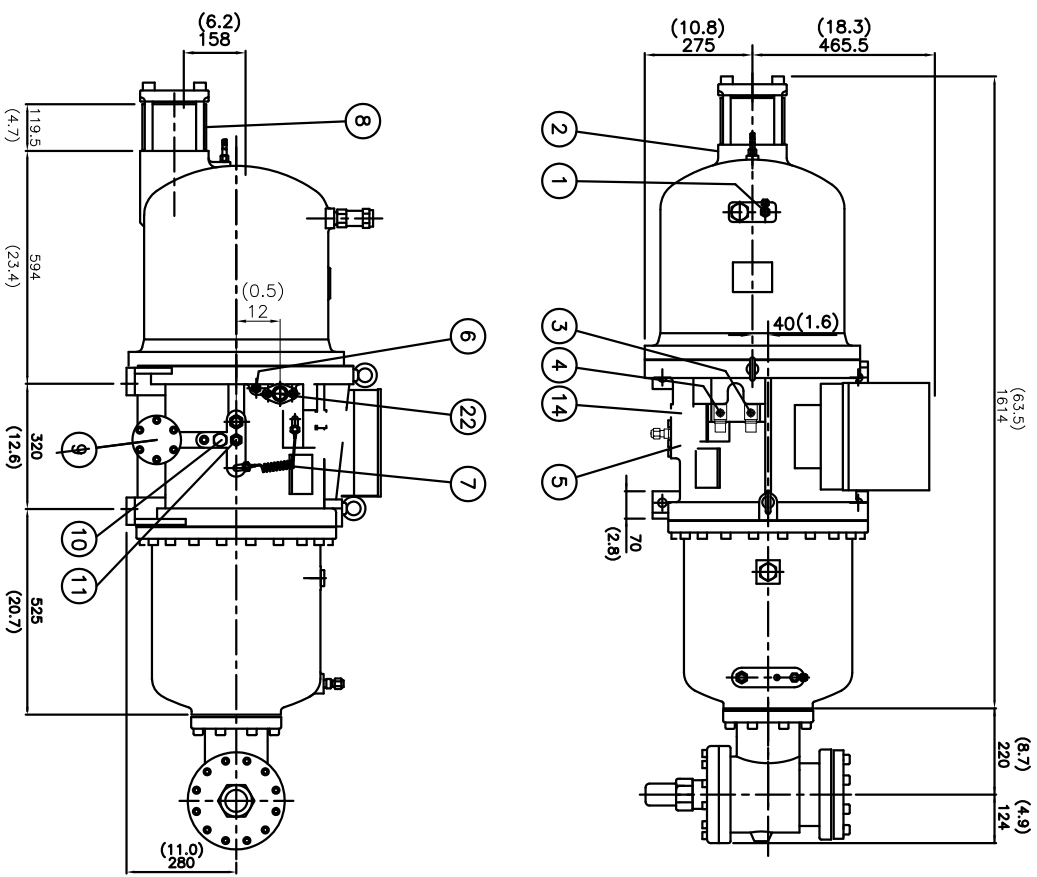


| No. | Name | Note | No. | Name | Note |
|-----|--|-------------------|-----|---------------------------|----------------------------|
| 1 | Angle valve | 1/4"Flare | 12 | Angle valve | 1/4"Flare |
| 2 | Discharge flange | 4" | 13 | Refrigerant service valve | 1/4"Flare |
| 3 | Solenoid valve | 50%(NC) | 14 | Solenoid valve | Stepless(NC or NO), option |
| 4 | Solenoid valve | 75%(NC) | 15 | NOT USED | 5/8"Flare, option |
| 5 | Solenoid valve | 35%(NC) | 16 | Suction flange | 5" |
| 6 | Liquid(oil or refrigerant) injection connector | 3/8"Flare, option | 17 | Cable box | Standard |
| 7 | Capillary | | 18 | Service flange | |
| 8 | Check valve | 4" | 19 | Oil drain valve | option |
| 9 | Service flange | | 20 | Discharge temp. sensor | 110°C |
| 10 | Stop Pin | | 21 | Safety Valve | option |
| 11 | Oil inlet connector | 5/8"Flare | 22 | Economizer port | 1 1/8", solder |

*All stop valves are optional



Dimensional Outline Drawing & Component Description
for Stepless or Modulating-Type Capacity Control Application

| | |
|---------------|--------------|
| Hanbell Model | RC2-620BF |
| Date and Rev. | 08/21/2012 A |
| Drawn By | M. Schreiber |



Micro Control Systems, Inc.

5580 Enterprise Parkway
Fort Myers, Florida 33905
Tel. (239) 694-0089 Fax (239) 694-0031
E-mail: compressors@mcscontrols.com

Hanbell Precise Machinery Co., Ltd.

